

2020

## NEW PRODUCTS

Led Product and Application Provider

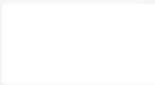


# Magnetic Track : **Snap assist**

## Modular Lighting **System**

Please Note, refer to NZ pricing list for items currently available





Your Best Choice for LED Lighting Solutions!

<b>System</b>	01-02
introduction	03-04
depths & mountings	05-10
compatibility	11-12
magnetic mounting	13
light temperatures	14
wireless	15
Dali dimmable	16
corners & configurations	17-18

<b>Luminaires</b>	19-20
track light	21-32
linear light	33-36
pendant light	37-48

<b>Tracks</b>	49-50
track profiles	51-52
Accessories	53-72
wiring diagram	73

# **System**

**TRACKS**

**LUMINAIRES**

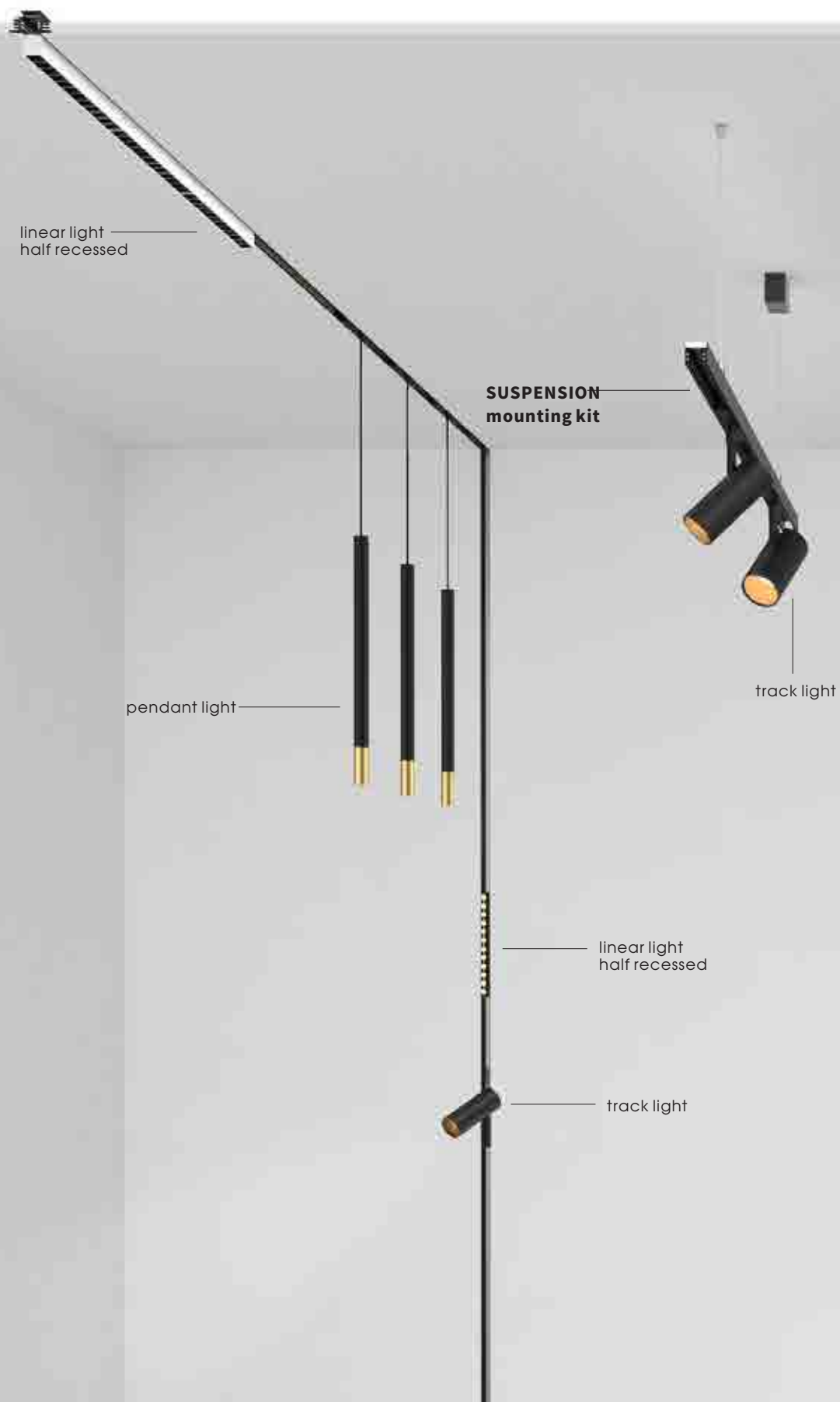
**MOUNTING OPTIONS**

**COLORS**

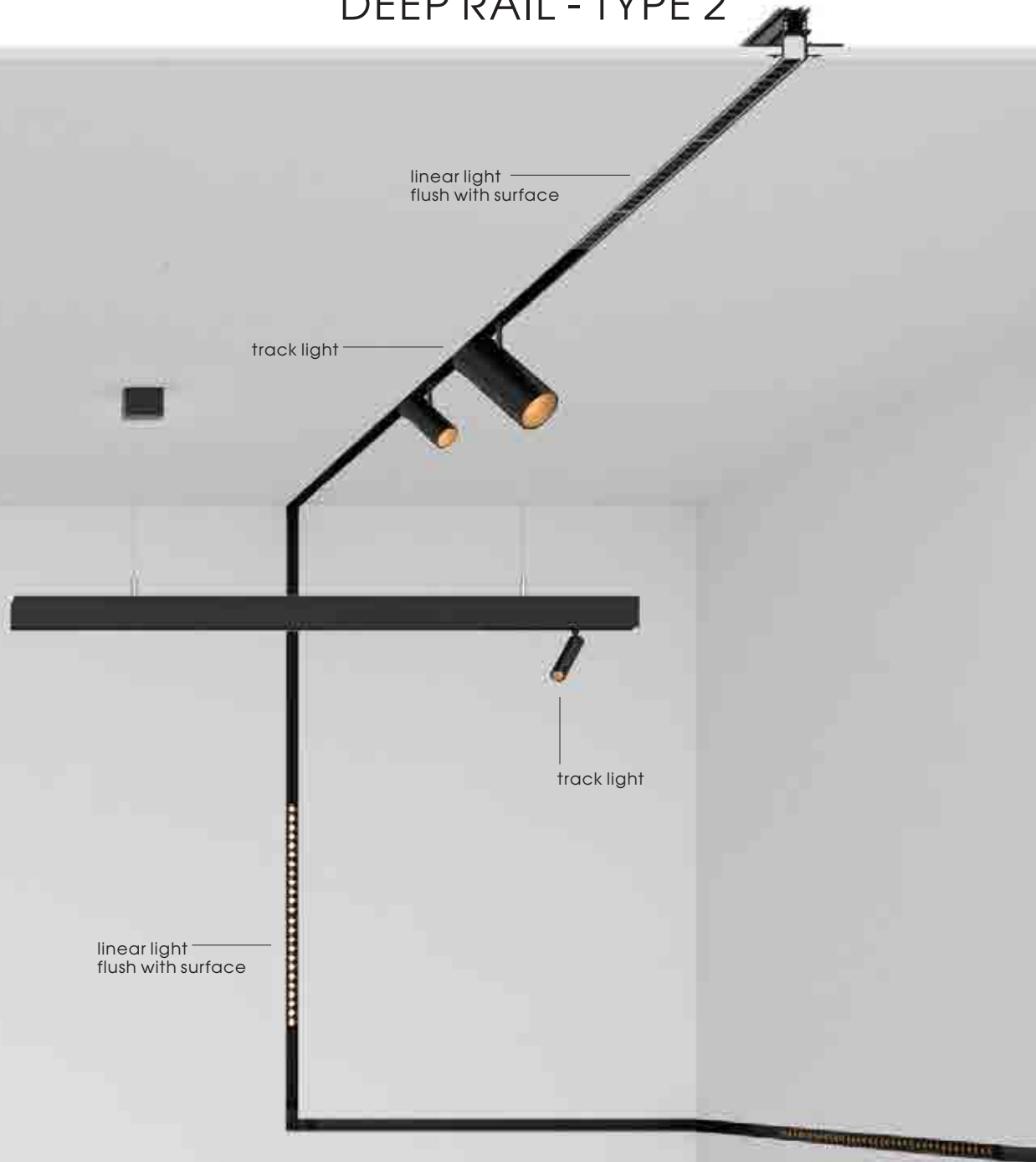


Modular Lighting System 48V combines unornamented aesthetics with a multitude of configuration options and effortless installation. The outcome is an ecosystem of quality components perfect for spaces where constant flexibility and high performance are required.

# SLIM RAIL - TYPE 1



## DEEP RAIL - TYPE 2



Modular Lighting System 48V combines unornamented aesthetics with a multitude of configuration options and effortless installation. The outcome is an ecosystem of quality components perfect for spaces where constant flexibility and high performance are required.

Two profile depths,  
Three mounting options



TYPE 1  
SLIM-SUSPENSION



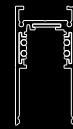
TYPE 1  
SLIM-CEILING



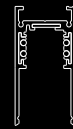
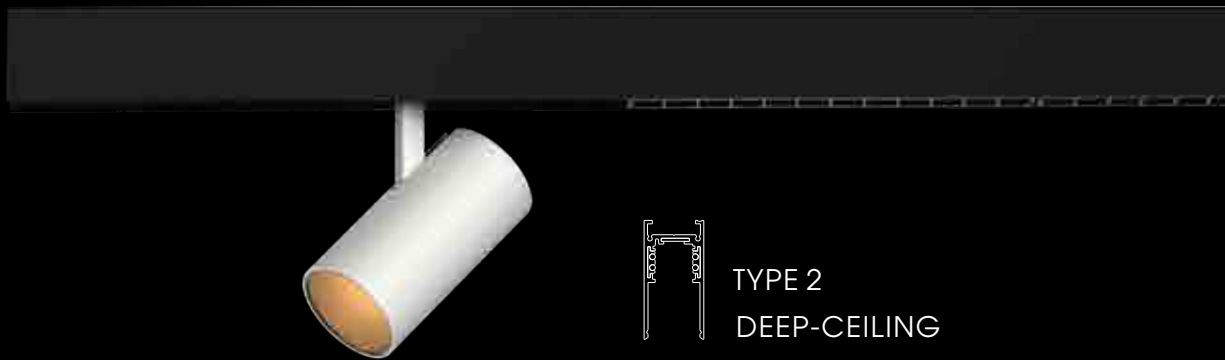
TYPE 1  
SLIM-RECESSED



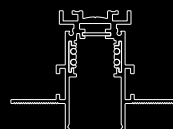
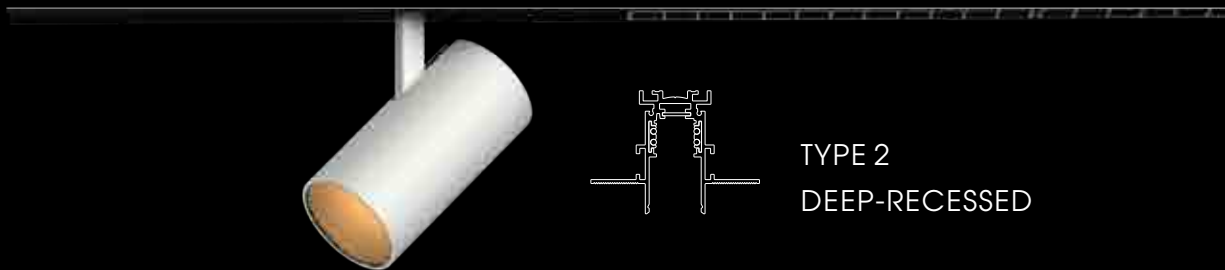




TYPE 2  
DEEP-SUSPENSION

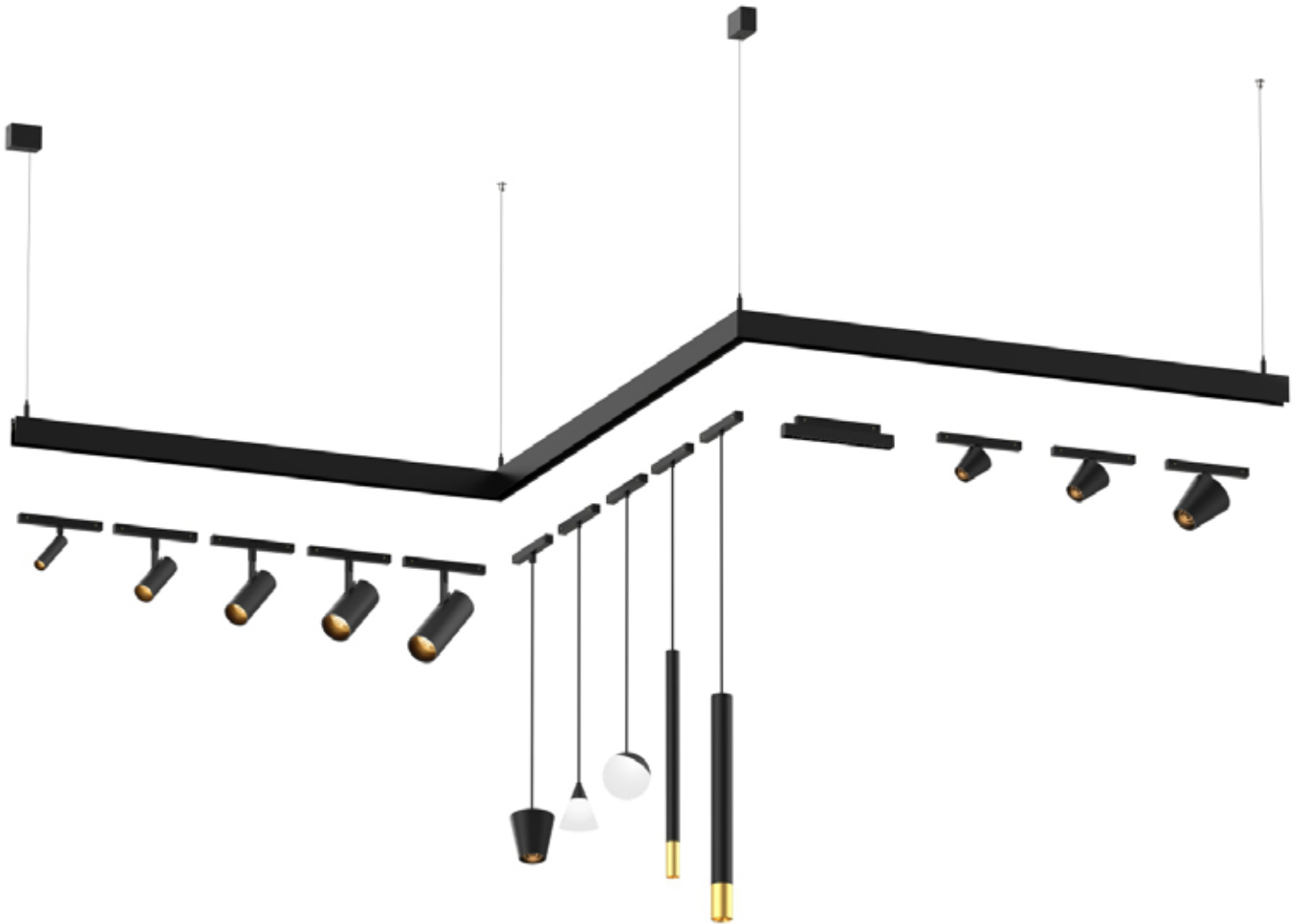


TYPE 2  
DEEP-CEILING



TYPE 2  
DEEP-RECESSED

## SLIM RAIL



Magnetic track rail with a thin and slim design.  
Installation options: recessed, surface mounted (for both wall and ceiling) or suspended. Available in 1, 2 or 3m; in white structure or black structure.

# DEEP RAIL

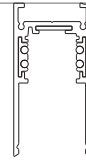
## SURFACE



9500-.../...-ST1

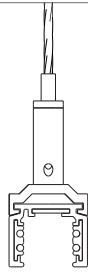


9500-.../...-ST6

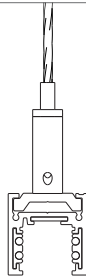


9500-.../...-ST2

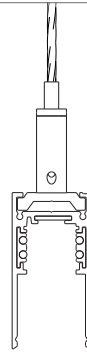
## SUSPENSION



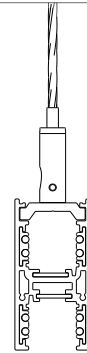
9500-.../...-ST1



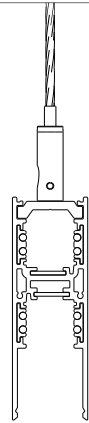
9500-.../...-ST6



9500-.../...-ST2

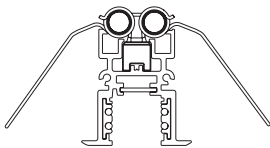


9500-.../...-ST7



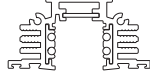
9500-.../...-ST9

## RECESSED-TRIM

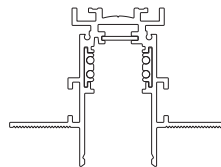


9500-.../...-ST8

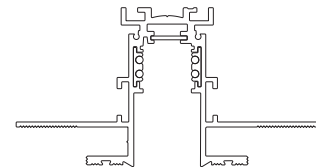
## RECESSED-TRIMLESS



9500-.../...-ST3




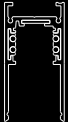
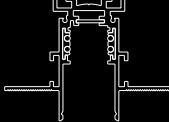
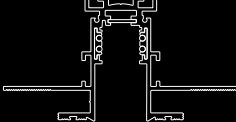
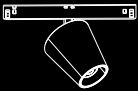







9500-.../...-ST5



9500-.../...-ST10

# COMPATIBILITY

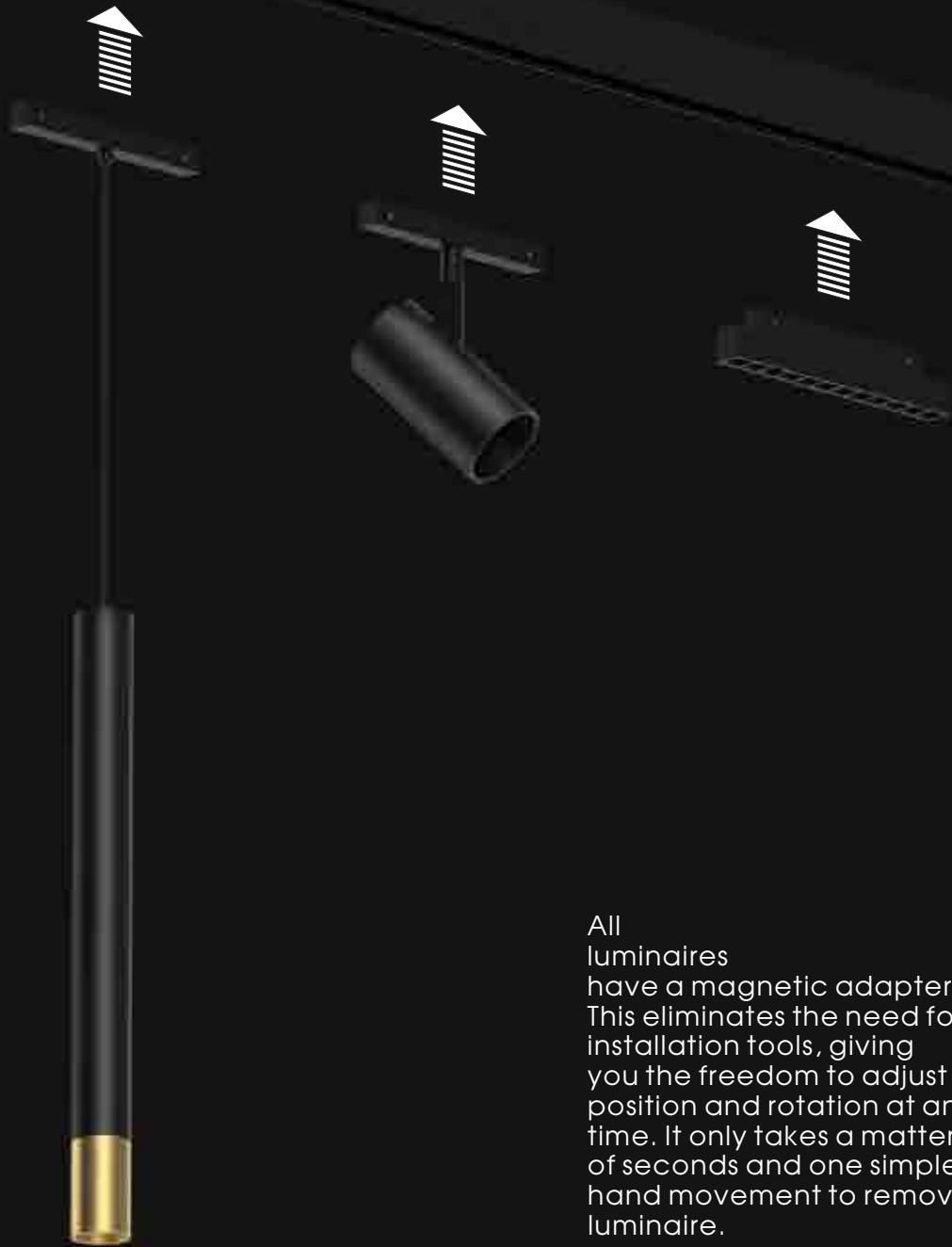
	SLIM RAIL - TYPE 1			DEEP RAIL - TYPE 2		
						
	Surface Suspension	SURFACE SUSPENSION	RECESSED TRIMLESS	SURFACE SUSPENSION	RECESSED TRIMLESS	RECESSED TRIMLESS
	<input checked="" type="checkbox"/>	<input checked="" type="checkbox"/>	<input checked="" type="checkbox"/>			
	<input checked="" type="checkbox"/>	<input checked="" type="checkbox"/>	<input checked="" type="checkbox"/>	<input checked="" type="checkbox"/>	<input checked="" type="checkbox"/>	<input checked="" type="checkbox"/>
	<input checked="" type="checkbox"/>	<input checked="" type="checkbox"/>	<input checked="" type="checkbox"/>			
	<input checked="" type="checkbox"/>	<input checked="" type="checkbox"/>	<input checked="" type="checkbox"/>	<input checked="" type="checkbox"/>	<input checked="" type="checkbox"/>	<input checked="" type="checkbox"/>
	<input checked="" type="checkbox"/>	<input checked="" type="checkbox"/>	<input checked="" type="checkbox"/>	<input checked="" type="checkbox"/>	<input checked="" type="checkbox"/>	<input checked="" type="checkbox"/>
	<input checked="" type="checkbox"/>	<input checked="" type="checkbox"/>	<input checked="" type="checkbox"/>	<input checked="" type="checkbox"/>	<input checked="" type="checkbox"/>	<input checked="" type="checkbox"/>

COMPATIBLE

COMPATIBLE - INCREASED DISTANCE BETWEEN TRACK & LUMINAIRE



## magnetic snap mounting



All  
luminaires  
have a magnetic adapter.  
This eliminates the need for  
installation tools, giving  
you the freedom to adjust the  
position and rotation at any  
time. It only takes a matter  
of seconds and one simple  
hand movement to remove a  
luminaire.



light colors

Choose from a wide range of color temperatures, CRI values and dimming protocols.

# wireless controls

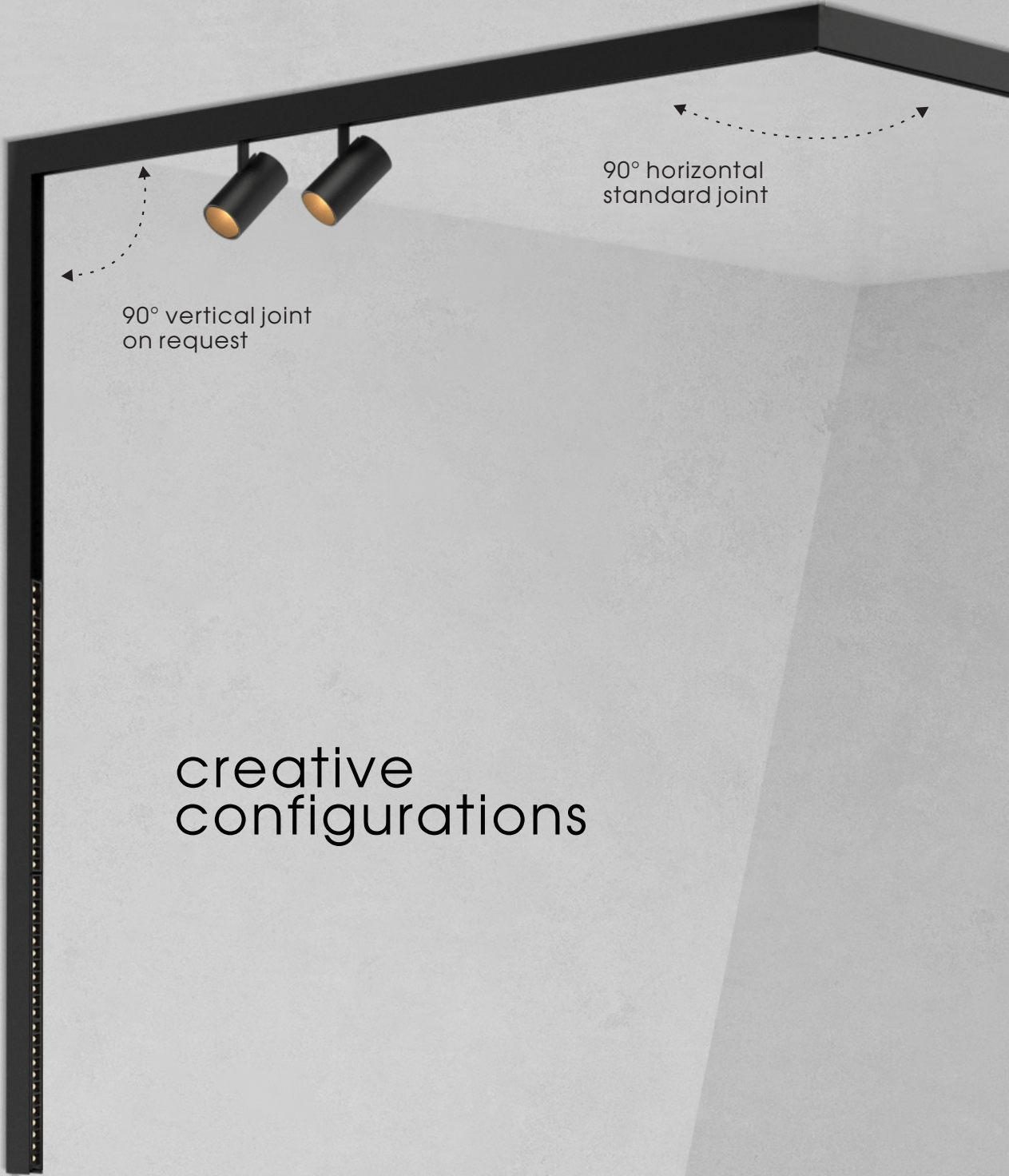
Seamless and instant  
control and dimming  
with the remote app  
for iOS and Android.







**DALI Compatible:**  
The low voltage track system with integrated databus allows individual spotlights to be controlled with various driver options including Fixed Output and DALI. This will allow user-friendly light management for multi application.



90° vertical joint  
on request

90° horizontal  
standard joint

creative  
configurations



angular vertical joint  
on request

angular vertical joint  
on request



# Luminaires

TRACK LIGHT  
PENDANT LIGHT  
LINEAR LIGHT

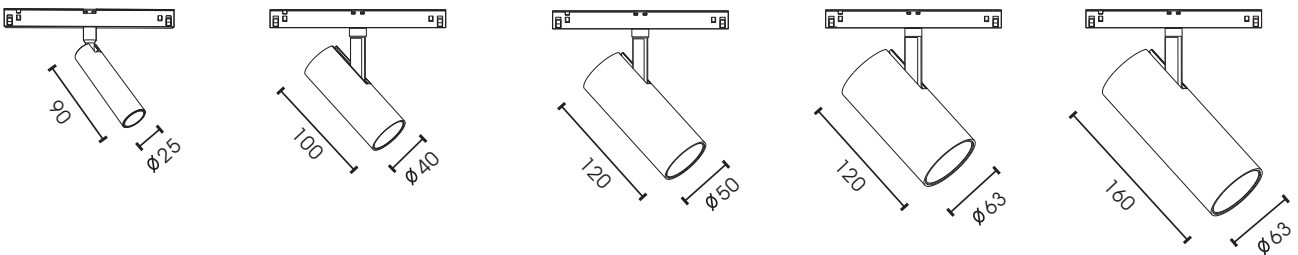


Color :  White  Black

## Product profile

Item Code	Input	Luminous Flux	Lamp	Beam Angle	Available Dimming
S0108-1	DC500mA 1x8W	250lm	CREE XHP35	15°/25°/30°	Dali
S0110-C	DC250mA 1x10W	794lm	HonourTEK	15°/24°/38°	Dali
S0115-C	DC350mA 1x15W	844lm	HonourTEK	15°/24°/38°	Dali
S0120-C	DC500mA 1x20W	456lm	CLM-9	15°/24°/38°	Dali
S0130-C	DC700mA 1x30W	1700lm	CXM-9	15°/24°/38°	Dali

## Size

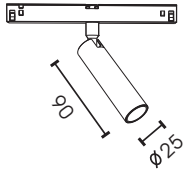




## S0108-1

0.22 F CE IP20

Material	Input	Luminous Flux	Lamp	CRI	Beam Angle
Aluminum	DC500mA 1x8W	375lm/3000K	CREE XHP35	Ra ≥ 90	15°/25°/30°



15°	LUX	cm	700
1.0m	3228Lx	31	1400
2.0m	807Lx	62	2100
3.0m	358Lx	93	2800
4.0m	201Lx	124	

25°	LUX	cm	400
1.0m	1994Lx	39	800
2.0m	498Lx	79	1200
3.0m	221Lx	119	1600
4.0m	124Lx	159	

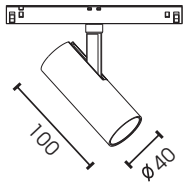
30°	LUX	cm	300
1.0m	1063Lx	46	600
2.0m	265Lx	91	900
3.0m	118Lx	137	1200
4.0m	66Lx	183	



## S0110-C

0.28 F CE IP20

Material	Input	Luminous Flux	Lamp	CRI	Beam Angle
Aluminum	DC250mA 1x10W	551lm/3000K	Honourtek HRA0607	Ra ≥ 95	15°/24°/38°



15°	LUX	cm	900
1.0m	4175Lx	31	1800
2.0m	1044Lx	63	2700
3.0m	463Lx	95	3600
4.0m	261Lx	126	

24°	LUX	cm	600
1.0m	2678Lx	44	1200
2.0m	669Lx	88	1800
3.0m	297Lx	132	2400
4.0m	167Lx	176	

38°	LUX	cm	400
1.0m	1806Lx	53	800
2.0m	451Lx	106	1200
3.0m	200Lx	159	1600
4.0m	112Lx	213	

### Optional Accessories



Honeycomb  
Size:  $\varnothing 19 \times 3$   
Size:  $\varnothing 33 \times 3$

Combed Glass  
Size:  $\varnothing 19 \times 3$   
Size:  $\varnothing 33 \times 3$

Woven Glass  
Size:  $\varnothing 19 \times 3$   
Size:  $\varnothing 33 \times 3$



Extension rod  
Size:  $\varnothing 16 \times 21$

### Optional Colors for Baffle



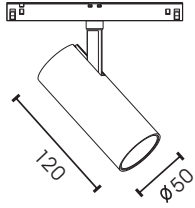
White Golden Black



## S0115-C

0.41 IP20

Material	Input	Luminous Flux	Lamp	CRI	Beam Angle
Aluminum	DC350mA 1x15W	844lm/3000K	Honourtek HRA0610	Ra ≥ 95	15°/24°/38°



15°	LUX	cm	Beam Diameter
1.0m	9217Lx	27	1900
2.0m	2304Lx	55	3800
3.0m	1024Lx	82	5700
4.0m	576Lx	110	7600

24°	LUX	cm	Beam Diameter
1.0m	5657Lx	39	1200
2.0m	1414Lx	78	2400
3.0m	628Lx	118	3600
4.0m	353Lx	157	4800

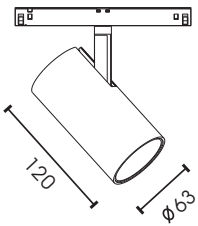
36°	LUX	cm	Beam Diameter
1.0m	2993Lx	54	600
2.0m	748Lx	109	1200
3.0m	332Lx	163	1800
4.0m	187Lx	218	2400



## S0120-C

0.61 IP20

Material	Input	Luminous Flux	Lamp	CRI	Beam Angle
Aluminum	DC500mA 1x20W	1271lm/3000K	CLM-9	Ra ≥ 90	15°/24°/38°



15°	LUX	cm	Beam Diameter
1.0m	12096Lx	30	3000
2.0m	3024Lx	61	6000
3.0m	1344Lx	91	9000
4.0m	756Lx	122	12000

24°	LUX	cm	Beam Diameter
1.0m	8625Lx	42	1600
2.0m	2156Lx	85	3200
3.0m	958Lx	128	4800
4.0m	539Lx	171	6400

38°	LUX	cm	Beam Diameter
1.0m	5173Lx	57	1100
2.0m	1293Lx	115	2200
3.0m	574Lx	172	3300
4.0m	323Lx	230	4400

### Optional Accessories



Honeycomb  
Size:  $\varnothing 42 \times 3$   
Size:  $\varnothing 52 \times 3$

Combed Glass  
Size:  $\varnothing 42 \times 3$   
Size:  $\varnothing 52 \times 3$

Woven Glass  
Size:  $\varnothing 42 \times 3$   
Size:  $\varnothing 52 \times 3$



Extension rod  
Size:  $\varnothing 16 \times 21$

### Optional Colors for Baffle



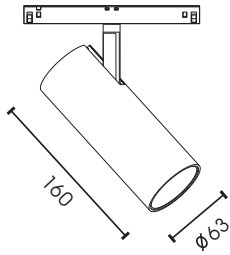
White Golden Black

# S0130-C

0.56 IP20



Material	Input	Luminous Flux	Lamp	CRI	Beam Angle
Aluminum	DC700mA 1x30W	1700lm/3000K	CM-9	R <sub>a</sub> ≥ 90	15°/24°/38°



15°	LUX	cm	4000
1.0m	17360Lx	28	8000
2.0m	4340Lx	56	12000
3.0m	1929Lx	84	16000
4.0m	1085Lx	113	

24°	LUX	cm	3000
1.0m	12298Lx	42	6000
2.0m	3075Lx	84	9000
3.0m	1366Lx	126	12000
4.0m	768Lx	168	

38°	LUX	cm	1500
1.0m	7588Lx	57	3000
2.0m	1897Lx	114	4500
3.0m	843Lx	171	6000
4.0m	474Lx	228	

## Optional Accessories



Honeycomb  
Size:  $\varnothing 52 \times 3$

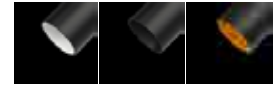
Combed Glass  
Size:  $\varnothing 52 \times 3$

Woven Glass  
Size:  $\varnothing 52 \times 3$



Extension rod  
Size:  $\varnothing 16 \times 21$

## Optional Colors for Baffle



White

Golden

Black

## Optional Accessories



TYPE 1



TYPE 2

Extension rod  
Size:  $\varnothing 16 \times 21$

Extension Rod: By adding extension rod to the arm, it can fit to track TYPE 2





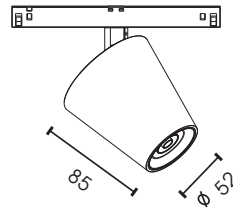
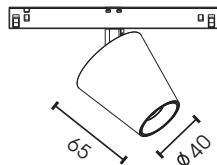
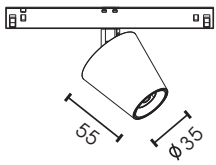


Color :  White  Black

## Product profile

Item Code	Input	Luminous Flux	Lamp	Beam Angle	Available Dimming
S0206-C	DC150mA 1x6W	414lm	HonourTEK	15°/24°/38°	Dali
S0210-C	DC250mA 1x10W	660lm	HonourTEK	15°/24°/38°	Dali
S0215-C	DC350mA 1x15W	844lm	HonourTEK	15°/24°/38°	Dali

## Size

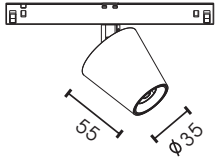




## S0206-C

0.25 CE IP20

Material	Input	Luminous Flux	Lamp	CRI	Beam Angle
Aluminum	DC150mA 1x6W	414lm/3000K	Honourtek HRA0604	Ra ≥ 95	15°/24°/38°



15°	LUX	cm	600
1.0m	960Lx	64	1200
2.0m	240Lx	129	1800
3.0m	106Lx	194	2400
4.0m	60Lx	259	

24°	LUX	cm	400
1.0m	783Lx	76	800
2.0m	195Lx	152	1200
3.0m	87Lx	228	1600
4.0m	48Lx	304	

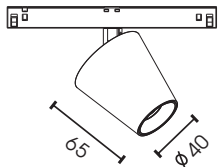
38°	LUX	cm	300
1.0m	543Lx	96	600
2.0m	135Lx	193	900
3.0m	60Lx	289	1200
4.0m	33Lx	386	



## S0210-C

0.33 CE IP20

Material	Input	Luminous Flux	Lamp	CRI	Beam Angle
Aluminum	DC250mA 1x10W	660lm/3000K	Honourtek HRA0607	Ra ≥ 95	15°/24°/38°



15°	LUX	cm	800
1.0m	388Lx	32	1600
2.0m	97Lx	64	2400
3.0m	43Lx	96	3200
4.0m	24Lx	128	

24°	LUX	cm	600
1.0m	261Lx	41	1200
2.0m	65Lx	83	1800
3.0m	29Lx	125	2400
4.0m	16Lx	167	

38°	LUX	cm	400
1.0m	174Lx	56	800
2.0m	43Lx	113	1200
3.0m	19Lx	170	1600
4.0m	10Lx	227	

### Optional Accessories



Honeycomb  
Size: Ø26 x 3  
Size: Ø33 x 3

Combed Glass  
Size: Ø26 x 3  
Size: Ø33 x 3

Woven Glass  
Size: Ø26 x 3  
Size: Ø33 x 3



Extension rod  
Size: Ø16 x 21

### Optional Colors for Baffle



White

Golden

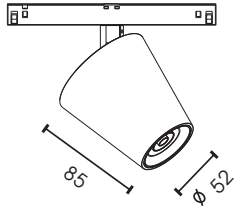
Black



# S0215-C

0.58 IP20

Material	Input	Luminous Flux	Lamp	CRI	Beam Angle
Aluminum	DC350mA 1x15W	844lm/3000K	Honourtek HRA0610	Ra ≥ 95	15°/24°/38°



15°	LUX	cm	105°
1.0m	5267Lx	31	2112
2.0m	1316Lx	63	3168
3.0m	842Lx	95	4224
4.0m	329Lx	127	

24°	LUX	cm	65°
1.0m	3257Lx	45	1307
2.0m	814Lx	91	1960
3.0m	316Lx	137	2614
4.0m	203Lx	183	

38°	LUX	cm	45°
1.0m	2251Lx	57	902
2.0m	562Lx	114	1353
3.0m	250Lx	172	1804
4.0m	140Lx	229	

## Optional Accessories



Honeycomb  
Size: Ø42 x 3

Combed Glass  
Size: Ø42 x 3

Woven Glass  
Size: Ø42 x 3



Extension rod  
Size: Ø16 x 21

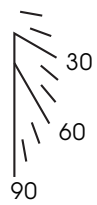
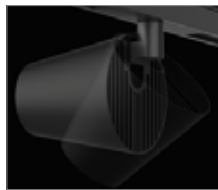
## Optional Colors for Baffle



White

Golden

Black



Adjustable scale 30 60 90



UGR < 4

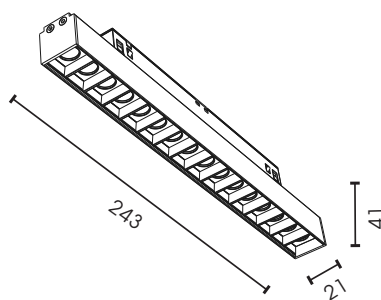
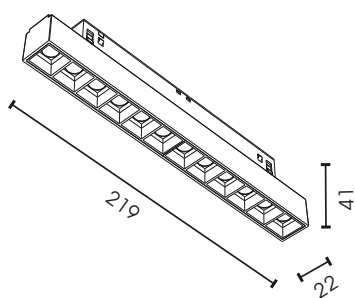


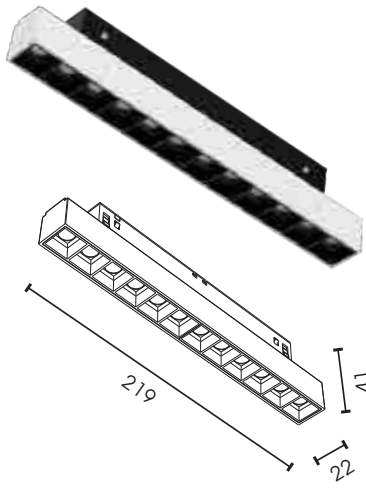
Color :  White  Black

## Product profile

Item Code	Input	Luminous Flux	Lamp	Beam Angle	Available Dimming
B0315-1	DC350mA 15W	900lm	OSRAM 3030	24°/36°	Dali
B0418-2	DC700mA 18W	1200lm	OSRAM 3030	24°/36°	

## Size

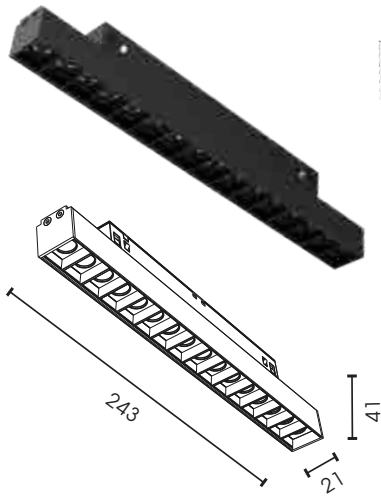
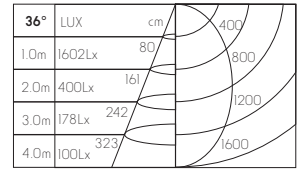
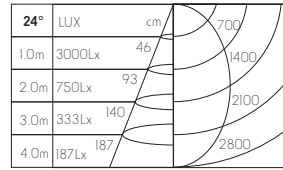




### B0315-1

0.25 IP20

Material	Input	Luminous Flux	Lamp	CRI	Beam Angle
Aluminum	DC350mA 15W	900lm/3000K	OSRAM 3030	R <sub>a</sub> ≥ 90	24°/36°



### B00418-1

0.25 IP20

Material	Input	Luminous Flux	Lamp	CRI	Beam Angle
Aluminum	DC350mA 15W	1200lm/3000K	OSRAM 3030	R <sub>a</sub> ≥ 90	24°/36°



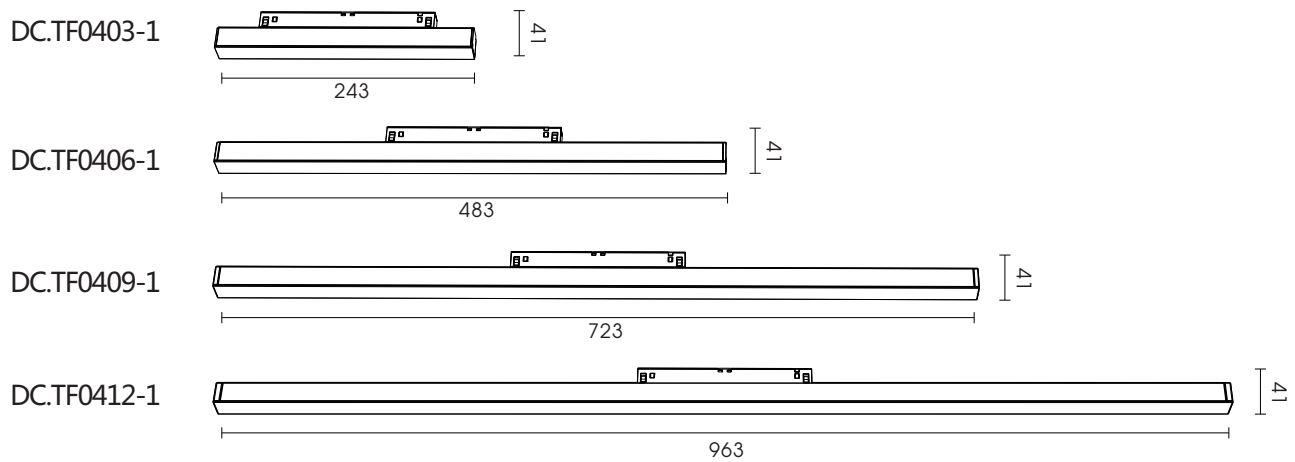


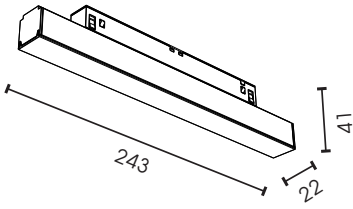
Color :  White  Black

## Product profile

Item Code	Input	Luminous Flux	Lamp	Beam Angle	Available Dimming
F0403-1	DC150mA 4W	120lm	OSRAM 2835	120°	Dali
F0406-1	DC250mA 6.5W	210lm	OSRAM 2835	120°	Dali
F0409-1	DC350mA 9W	410lm	OSRAM 2835	120°	Dali
F0412-1	DC500mA 12W	650lm	OSRAM 2835	120°	Dali

## Size

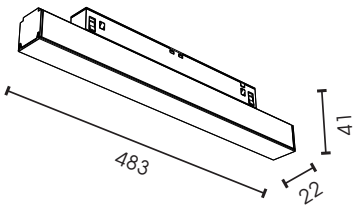




### F0403-1

0.25 IP20

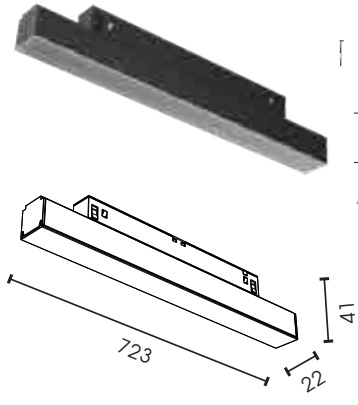
Material	Input	Luminous Flux	Lamp	CRI	Beam Angle
Aluminum	DC150mA 4W	120lm/3000K	OSRAM 2835	$R_a \geq 90$	120°



### F0406-1

0.25 IP20

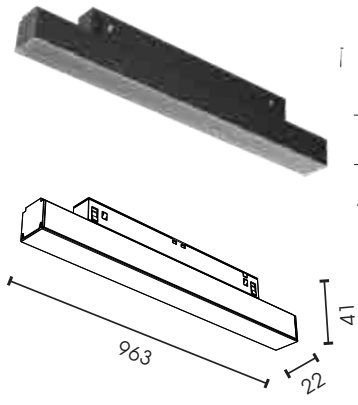
Material	Input	Luminous Flux	Lamp	CRI	Beam Angle
Aluminum	DC250mA 6.5W	210lm/3000K	OSRAM 2835	$R_a \geq 90$	120°



### F0409-1

0.25 IP20

Material	Input	Luminous Flux	Lamp	CRI	Beam Angle
Aluminum	DC350mA 9W	410lm/3000K	OSRAM 2835	R <sub>a</sub> ≥90	120°



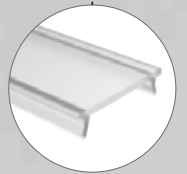
### F0412-1

0.25 IP20

Material	Input	Luminous Flux	Lamp	CRI	Beam Angle
Aluminum	DC500mA 12W	650lm/3000K	OSRAM 2835	R <sub>a</sub> ≥90	120°

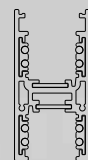


Beam Angle

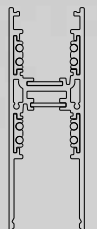


Beam Angle

Extension Rod: By adding extension rod to the arm, it can fit to track TYPE 2



9500-.../...-ST7



9500-.../...-ST9



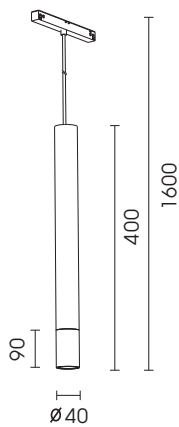
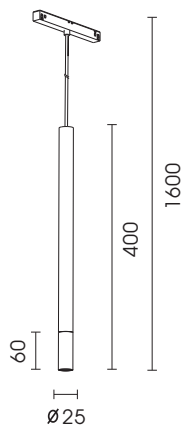


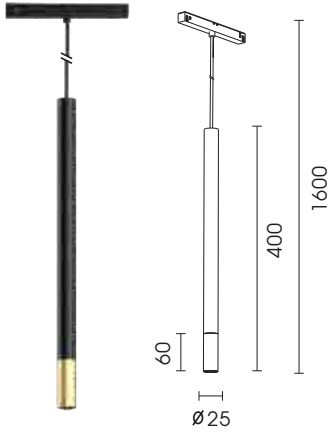
Color :  White  Black

## Product profile

Item Code	Input	Luminous Flux	Lamp	Beam Angle	Available Dimming
S0108-1	DC500mA 1x8W	229lm	CREE XHP35	15°/25°/30°	Dali
S0110-1	DC250mA 1x10W	767lm	HonourTEK	20°/38°	Dali

## Size





## S0108-1

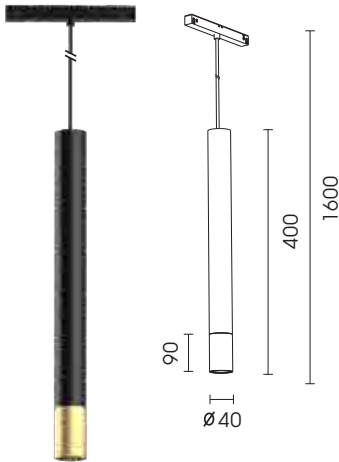
0.34 IP20

Material	Input	Luminous Flux	Lamp	CRI	Beam Angle
Aluminum	DC500mA lx8W	229lm/3000K	CREE XHP35	Ra≥90	15°/25°/30°

15°	LUX	cm	700
1.0m	3228Lx	31	1400
2.0m	807Lx	62	2100
3.0m	358Lx	93	2800
4.0m	201Lx	124	

25°	LUX	cm	400
1.0m	1994Lx	39	800
2.0m	498Lx	79	1200
3.0m	221Lx	119	1600
4.0m	124Lx	159	

30°	LUX	cm	300
1.0m	1063Lx	45	600
2.0m	265Lx	91	900
3.0m	118Lx	137	1200
4.0m	66Lx	183	



## S0110-1

0.52 IP20

Material	Input	Luminous Flux	Lamp	CRI	Beam Angle
Aluminum	DC250mA lx10W	767lm/3000K	Honourtek HRA0607	Ra≥95	20°/38°

20°	LUX	cm	600
1.0m	2823Lx	36	1200
2.0m	705Lx	72	1800
3.0m	313Lx	108	2400
4.0m	176Lx	144	

38°	LUX	cm	300
1.0m	1476Lx	63	600
2.0m	368Lx	126	900
3.0m	164Lx	189	1200
4.0m	92Lx	252	

### Optional Accessories



Honeycomb  
Size:  $\varnothing 19 \times 3$   
Size:  $\varnothing 33 \times 3$

Combed Glass  
Size:  $\varnothing 19 \times 3$   
Size:  $\varnothing 33 \times 3$

Woven Glass  
Size:  $\varnothing 19 \times 3$   
Size:  $\varnothing 33 \times 3$

### Optional Colors for Baffle



White

Golden

Black





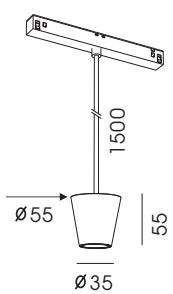


Color :  White  Black

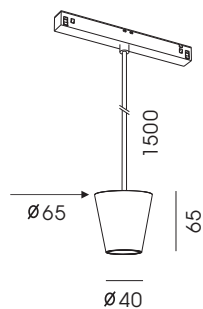
## Product profile

Item Code	Input	Luminous Flux	Lamp	Beam Angle	Available Dimming
S0206-C	DC150mA 1x6W	414lm	HonourTEK	15°/24°/38°	Dali
S0210-C	DC250mA 1x10W	660lm	HonourTEK	15°/24°/38°	Dali
S0215-C	DC350mA 1x15W	844lm	HonourTEK	15°/24°/38°	Dali

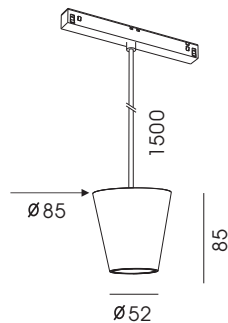
## Size



DC.TS0206-C



DC.TS0210-C



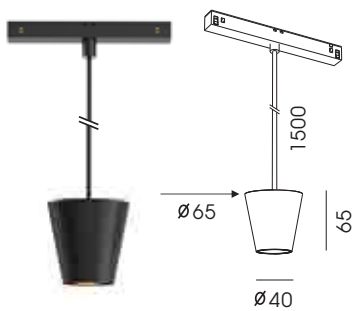
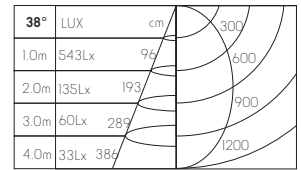
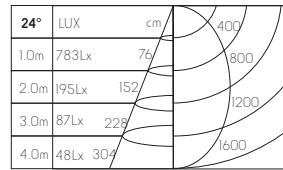
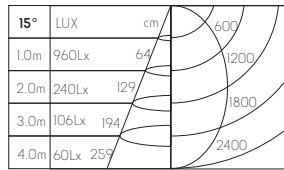
DC.TS0215-C



## S0206-C

0.25 IP20

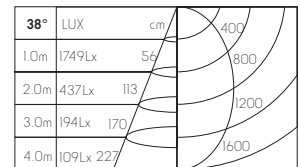
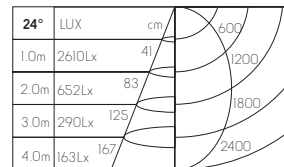
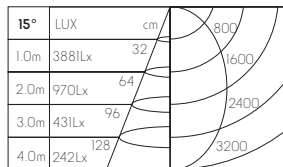
Material	Input	Luminous Flux	Lamp	CRI	Beam Angle
Aluminum	DC150mA 1x6W	414lm/3000K	Honourtek HRA0604	Ra ≥ 95	15°/24°/38°



## S0210-C

0.33 IP20

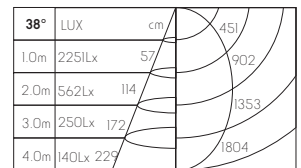
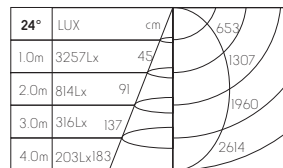
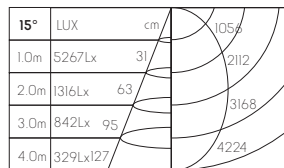
Material	Input	Luminous Flux	Lamp	CRI	Beam Angle
Aluminum	DC250mA 1x10W	660lm/3000K	Honourtek HRA0607	Ra ≥ 95	15°/24°/38°



## S0215-C

0.58 IP20

Material	Input	Luminous Flux	Lamp	CRI	Beam Angle
Aluminum	DC350mA 1x15W	844lm/3000K	Honourtek HRA0610	Ra ≥ 95	15°/24°/38°



### Optional Accessories



Honeycomb  
Size:  $\varnothing 26 \times 3$   
Size:  $\varnothing 33 \times 3$   
Size:  $\varnothing 42 \times 3$

Combed Glass  
Size:  $\varnothing 26 \times 3$   
Size:  $\varnothing 33 \times 3$   
Size:  $\varnothing 42 \times 3$

Woven Glass  
Size:  $\varnothing 26 \times 3$   
Size:  $\varnothing 33 \times 3$   
Size:  $\varnothing 42 \times 3$

### Optional Colors for Baffle



White Golden Black



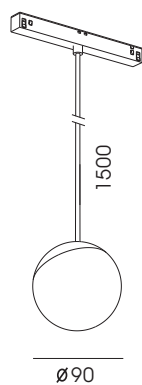
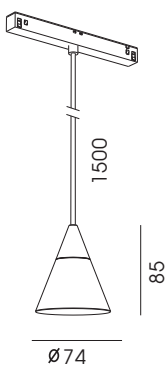


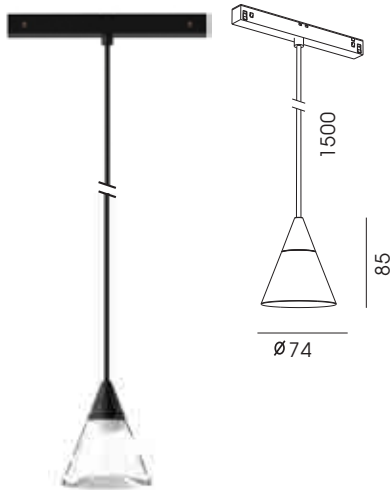
Color :  White  Black

## Product profile

Item Code	Input	Luminous Flux	Lamp	Beam Angle	Available Dimming
F0104-1	DC150mA 1x4W	160lm	OSRAM 3030	120°	Dali
F0204-1	DC150mA 1x4W	240lm	OSRAM 3030	120°	Dali

## Size

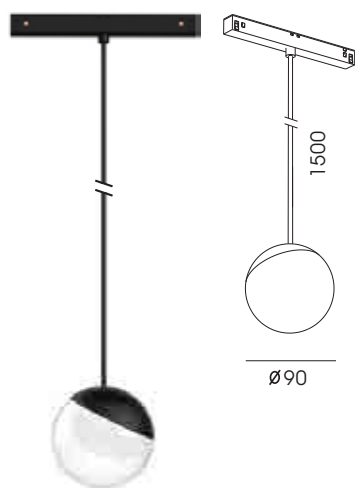




### F0104-1

0.35 IP20

Material	Input	Luminous Flux	Lamp	CRI	Beam Angle
Aluminum	DC150mA 1x4W	160lm/3000K	OSRAM3030	R <sub>a</sub> ≥ 90	120°



### F0204-1

0.62 IP20

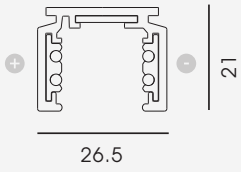
Material	Input	Luminous Flux	Lamp	CRI	Beam Angle
Aluminum	DC150mA 1x6W	240lm/3000K	OSRAM3030	R <sub>a</sub> ≥ 90	120°

# Tracks

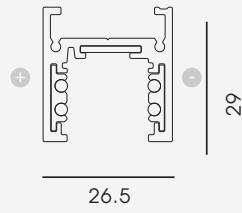
TRACKS  
ACCESSORIES  
DIMENSIONS  
DIAGRAM

# LOW VOLTAGE TRACK

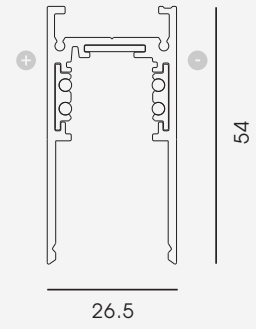
section drawings



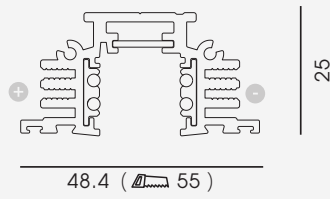
9500-.../...-ST1



9500-.../...-ST6

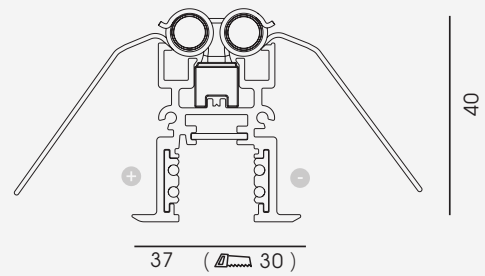


9500-.../...-ST2



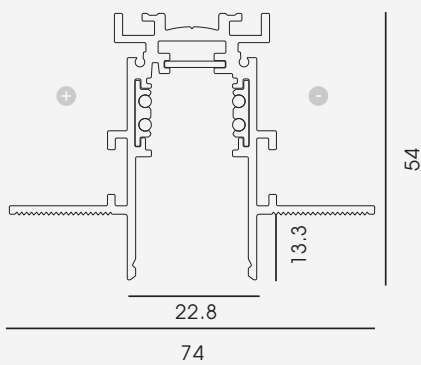
INSTALLATION HEIGHT: 105 mm

9500-.../...-ST3



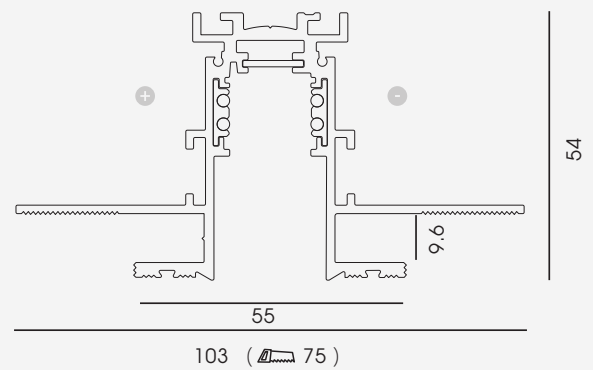
INSTALLATION HEIGHT: 105 mm

9500-.../...-ST8



INSTALL RAIL BEFORE ADDING CEILING

9500-.../...-ST5



INSTALLATION HEIGHT: 125 mm

9500-.../...-ST10

# HOW TO CHOOSE THE TRACK YOU NEED

## PRODUCT CODES



## FINISHING

EMBOSSSED

BLACK ANODIZED - WHITE PAINTED

ST1 ST2 ST6

ST3 ST5 ST8 ST10





9500-.../...-ST1

## END CAP



9504/ST1-...  
9504/ST1-...-F

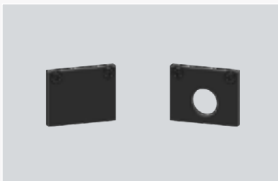
Metal sheet end cap; ...-F: with hole for cable

ST1

W

B

Embossed



9504/ST1-P-...  
9504/ST1-P-...-F

Plastic end cap; ...-F: with hole for cable

ST1

W

B

Embossed effect

## BRACKETS



S-9500/312-LA-...

Short bracket for suspensions

ST1

W

B



Embossed



S-9500/322-LA-...

Long bracket for suspensions

ST1

W

W2

B



Embossed



S-9500/312-SV-...

Short bracket for suspensions

ST1

W

W2

B



Embossed



S-9500/322-SV-...

Long bracket for suspensions

ST1

W

B

Embossed

Available colours: **W** White RAL 9010 **W2** White RAL 9016

**B** Black RAL 9005 **Raw aluminium**

## CUPS



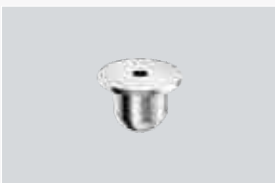
S-9000/3-...

Plastic cup for steel cable  $\varnothing$  1.5mm

**W**

**B**

ST1



S-9000/216

Chrome plated brass round head ceiling

ST...

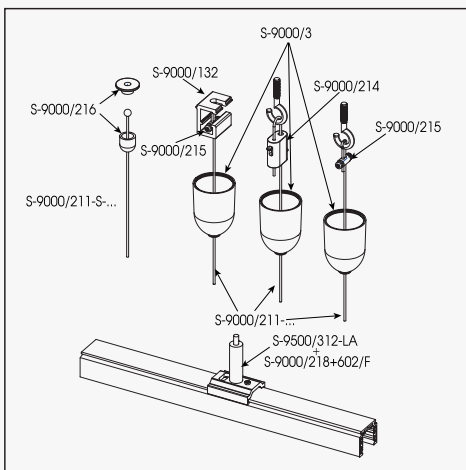
## CEILING FIXING BRACKET



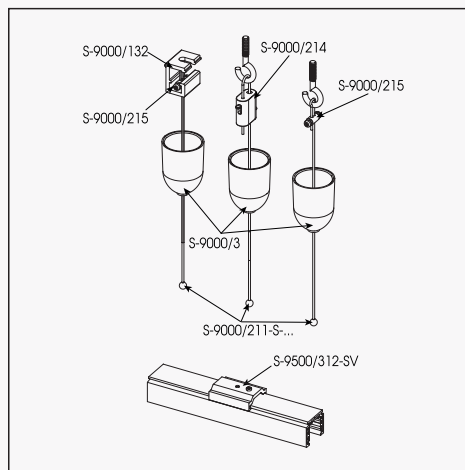
S-9000/132

Ceiling bracket for suspensions

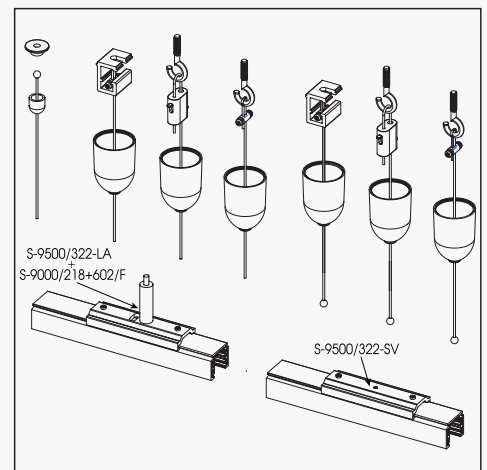
ST1



Suspension accessories with track adjustment



Suspension accessories with ceiling adjustment



Accessories for „in row“ use junctions



9500-.../...-ST6



9500-.../...-ST2

END CAP

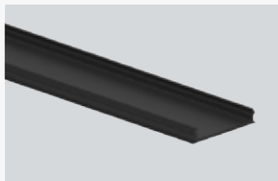


9504/ST2-...  
9504/ST2-...-F

Metal sheet end cap; ...-F: with hole for cable

ST2

W W2 B Embossed



S-9500-L/W-...  
S-9500-L/W2-...  
S-9500-L/B-...

Plastic cover strip (length: 1, 2, 3m)

ST2

W W2 B Embossed effect



9504/ST6-...  
9504/ST6-...-F

Metal sheet end cap; ...-F: with hole for cable

ST6

W B Embossed

BRACKETS



S-9500/313-LA-...

Short bracket for suspensions

ST2

ST6

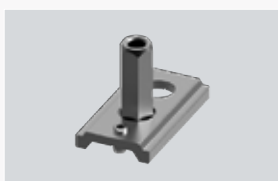


S-9500/323-LA-...

Long bracket for suspensions

ST2

ST6



S-9500/313-M6-...

Short bracket for suspensions

ST2

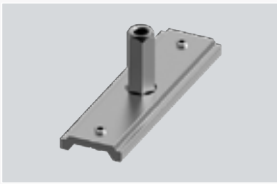
ST6

Embossed



Available colours: **W** White RAL 9010 **W2** White RAL 9016

**B** Black RAL 9005  Raw aluminium



S-9500/323-M6-...

Long bracket for suspensions

ST2

ST6



S-9500/313-M13-...

Short bracket for suspensions

ST2

ST6



S-9500/323-M13-...

Long bracket for suspensions

ST2

ST6



S-9500/313-SV-...

Short bracket for suspensions

ST2

ST6



S-9500/323-SV-...

Long bracket for suspensions

ST2

ST6



## CEILING FIXING BRACKET



S-9000/132

Ceiling bracket for suspensions

ST2

ST6

## CUPS



S-9000/3-...

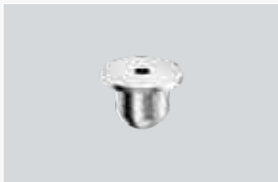
Plastic cup for steel cable  $\varnothing$  1.5mm

ST2

ST6

W

B



S-9000/216

Chrome plated brass round head ceiling

ST2

ST6

## CEILING FIXING HOOK



S-9000/232

Galvanized hook with fixing hole ( $\varnothing$ 13mm) for stem

ST2

ST6

## STEM



S-9000-1,2/604-...

Painted metal stem with M13X1 end + nut (L=1,2m)

ST2

ST6

W

W2

B

## CONNECTIONS ACCESSORIES



S-9511/ST2

Cover for L joint

ST2

W

B



S-9511/ST6

Cover for L joint

ST6

W

B

Available colours: **W** White RAL 9010 **W2** White RAL 9016

**B** Black RAL 9005  Raw aluminium

## COMPLETE SUSPENSION KITS



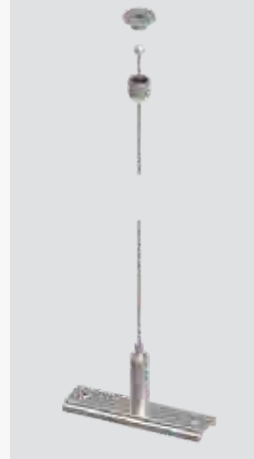
**9500-KIT1-1,5**  
**9500-KIT1-3**  
**9500-KIT1-5**

Includes:

- round head ceiling attachment
- steel cable  $\varnothing$  1,5mm (L=1500/3000/5000mm) with spherical end
- bracket with automatic gripper



ST2 ST6



**9500-KIT2-1,5**  
**9500-KIT2-3**  
**9500-KIT2-5**

Includes:

- round head ceiling attachment
- steel cable  $\varnothing$  1,5mm (L=1500/3000/5000mm) with spherical end
- bracket with automatic gripper



ST2 ST6

## SUSPENSION SETS



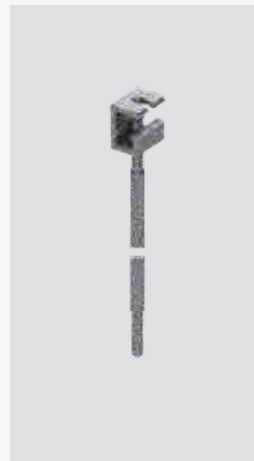
**S-9000-P3**

Includes:

- ceiling bracket
- M6 nut
- plastic cup
- M6 threaded bar (L=1000mm)

**W** **W2** **B** 

ST2 ST6



**S-9000-P4**

Includes:

- ceiling bracket
- M6 nut
- M6 threaded bar (L=1000mm)



ST2 ST6

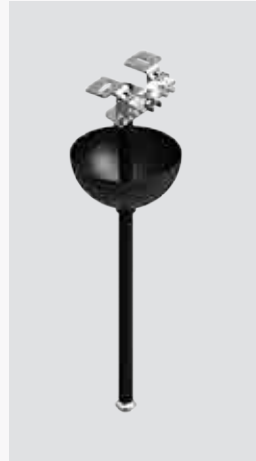


**S-9000-P5-B**

- Includes:
- ceiling hook
  - metal stem (L=1200mm)
  - metal cup

W W2 B

ST2 ST6



**S-9000-P6-P-...**

- Includes:
- ceiling bracket
  - metallic cup (∅ 100mm)
  - M13 threaded stem (L=1200mm) with counter-nut
  - 2 2P terminal blocks 400V-32A; T: 125°C; sect. 4mm<sup>2</sup> + dedicated earth terminal block

W W2 B

ST2 ST6

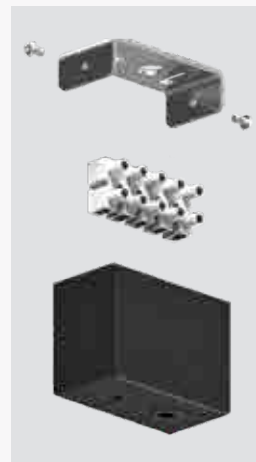


**S-9000-P6-S-...**

- Includes:
- ceiling bracket
  - metallic cup (∅ 100mm)
  - M13 threaded stem (L=1200mm) with counter-nut

W W2 B

ST2 ST6



**S-RE-P-...**

- Includes:
- ceiling bracket
  - 1 5P terminal block 400V-32A; T: 125°C; sect. 4mm<sup>2</sup>
  - metallic cup

W W2 B EMBOSSED

ST2 ST6

Available colours:



White RAL 9010



White RAL 9016

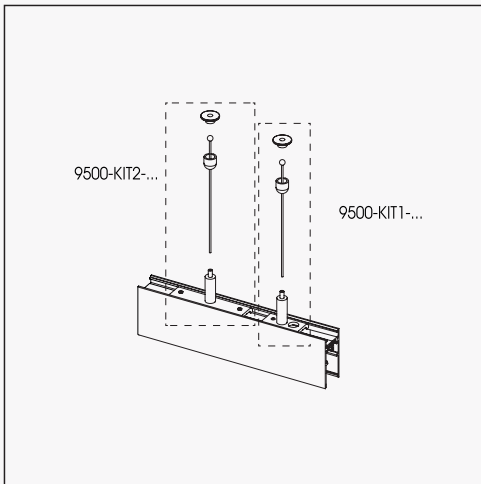


Black RAL 9005

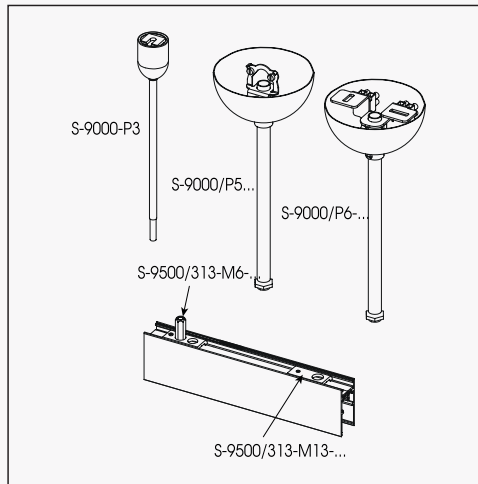


Raw aluminium

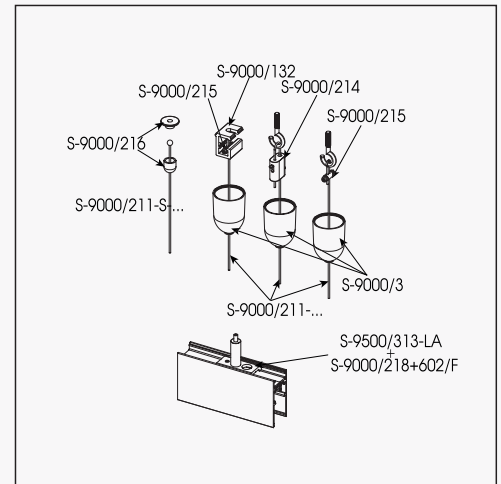
## ST2, ST6 TRACKS



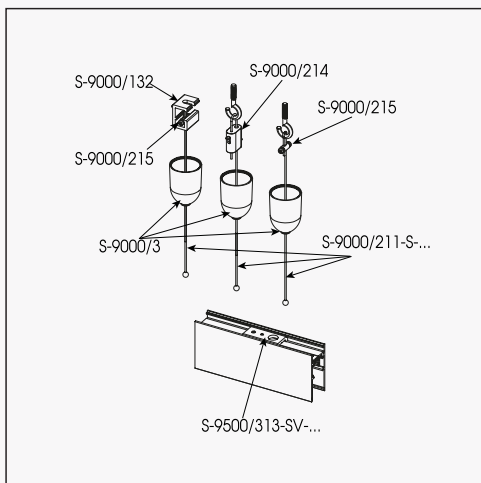
Complete suspension kit



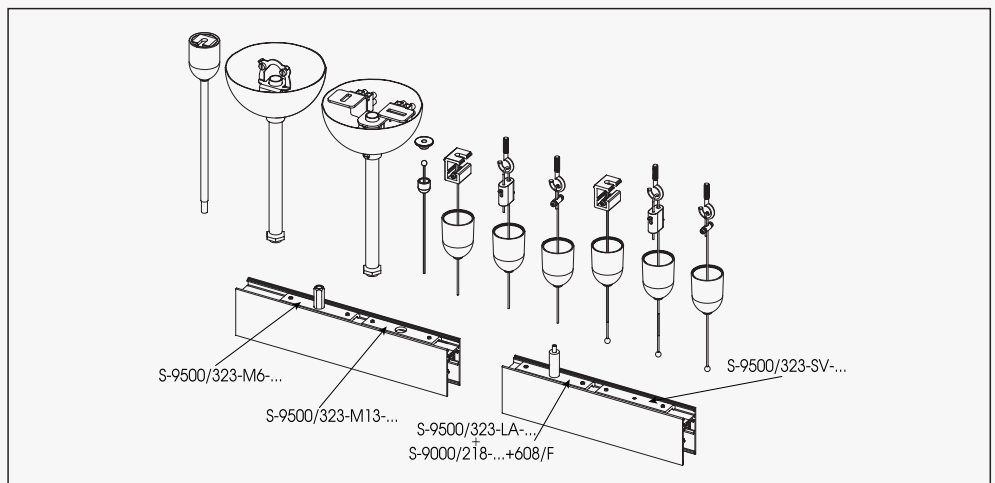
Suspension sets



Suspension accessories with track adjustment



Suspension accessories with ceiling adjustment



Accessories for „in row“ use junctions





## END CAP



9504/ST3-B

Metal sheet end cap

ST3

W2

B

Embossed

## BRACKETS



S-9500/314-...

Reinforcing bracket for jointing connector

ST3

W2

B



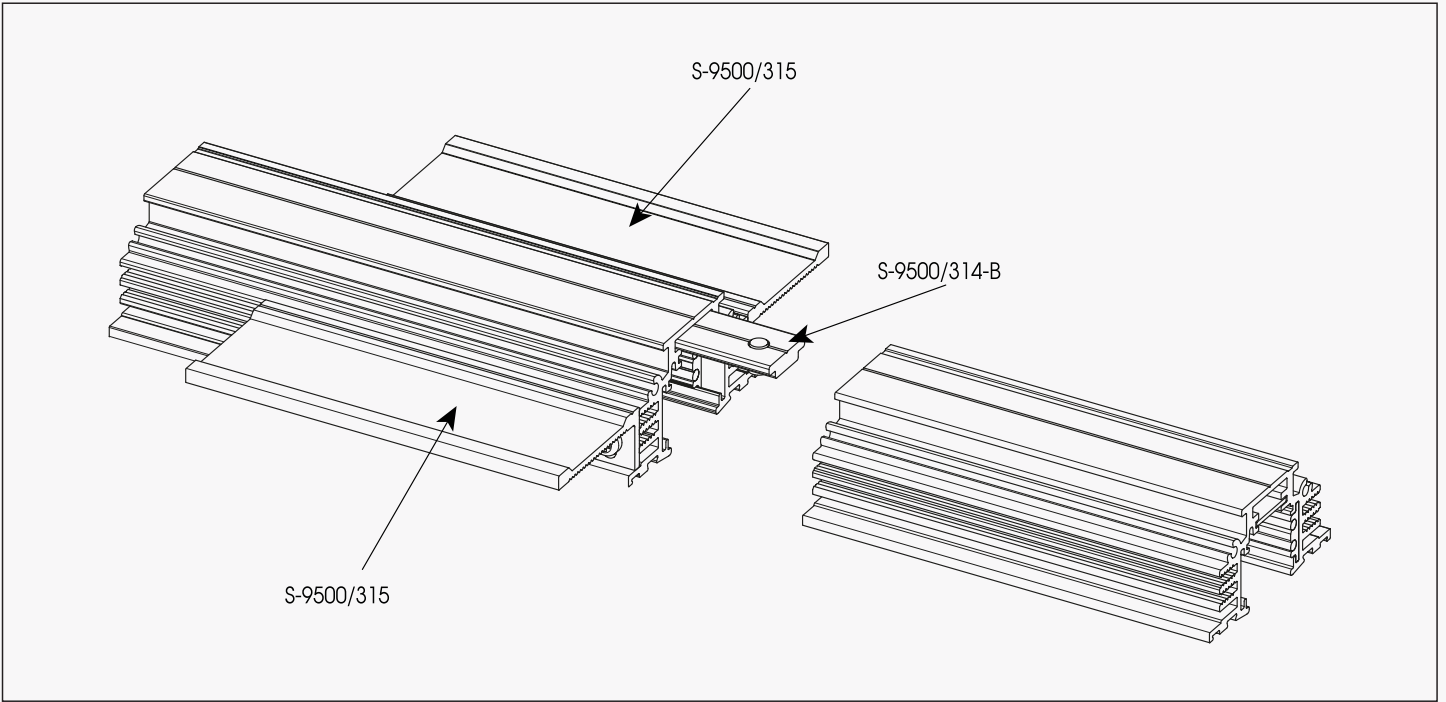
S-9500/315

*Bracket for trimless use*

ST3



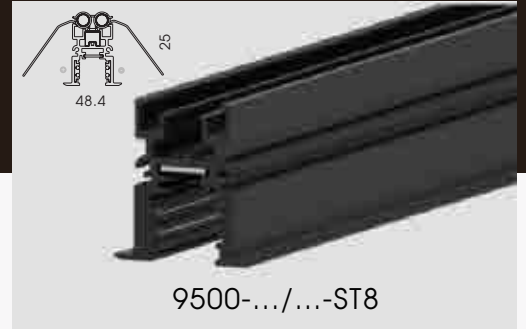
Available colours: **W** White RAL 9010 **W2** White RAL 9016  
**B** Black RAL 9005 **■** Raw aluminium



Accessories for trimless track

# TRIM

recessed



## END CAP



9504/ST8-...

Metal sheet end cap

ST8

W2

B

Embossed

## BRACKETS



S-9500/313-LA-...

Short bracket for suspensions

ST8



S-9500/323-LA-...

Long bracket for suspensions

ST8



S-9500/323-M6-...

Long bracket for suspensions

ST8



S-9500/313-M13-...

Short bracket for suspensions

ST8



**SUSPENSION SETS**



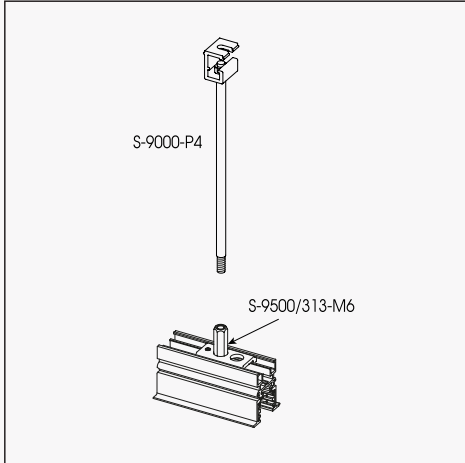
**S-9000-P4**

Includes:

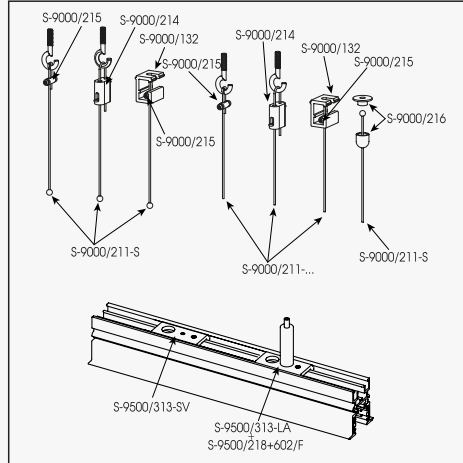
- ceiling bracket
- M6 nut
- M6 threaded bar (L=1000mm)



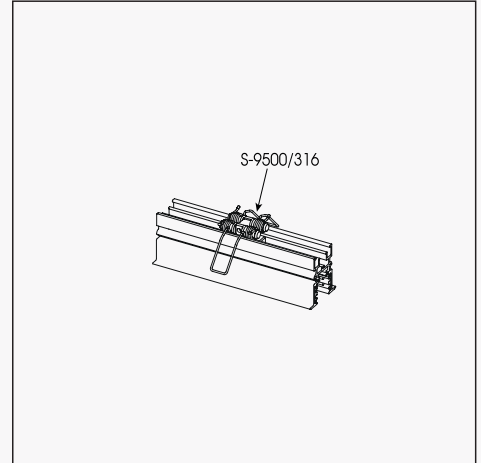
## ST8 TRACKS



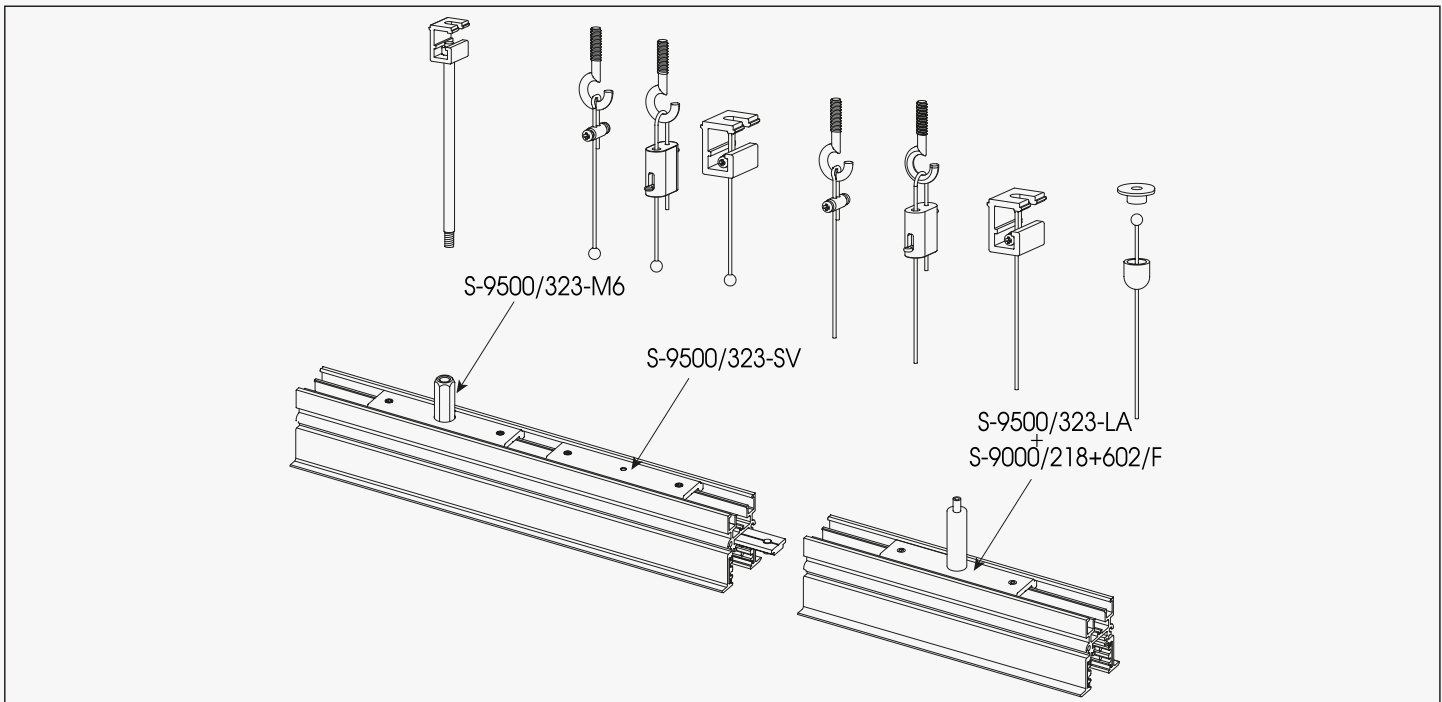
Suspension sets



Suspension accessories with track adjustment



Spring fixing



Accessories for „in row“ use junctions

# TRIMLESS

recessed



9500-.../...-ST5



9500-.../...-ST10

## END CAP



9504/ST2-...  
9504/ST2-...-F

Metal sheet end cap; ...-F: with hole for cable

ST2

W

W2

B

Embossed

## CLAMPS



S-9000-P2/117

Clamp in zinc plated steel. M6 threaded gripper in zinc plated steel

ST2



9504/ST2-...  
9504/ST2-...-F

Clamp in painted steel. M6 threaded gripper in nickel-plated steel

ST2

B



## BRACKETS



S-9500/314-...

Reinforcing bracket for jointing connector

ST3

W2

B



S-9500/315

Bracket for trimless use

ST3



## STEM



S-9000-1,2/604-...

Painted metal stem with M13X1 end + nut (L=1,2m)

ST8

W

W2

B

## CEILING FIXING BRACKET



S-9000/132

Ceiling bracket for suspensions

ST8

## SUSPENSION SETS



**S-9000-P4**

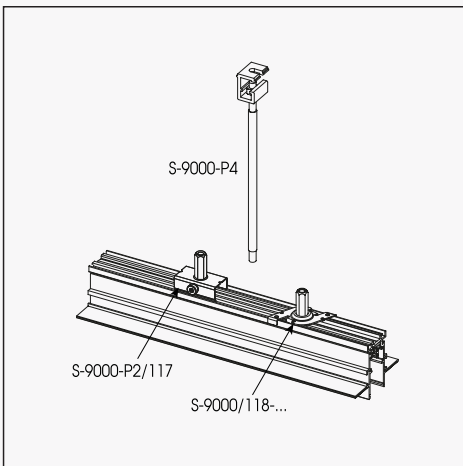
Includes:

- ceiling bracket
- M6 nut
- M6 threaded bar (L=1000mm)

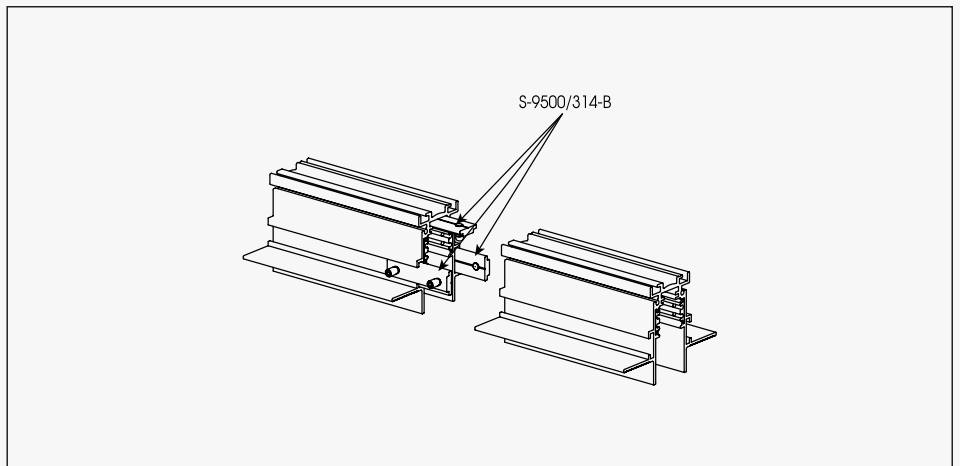


ST2 ST6

## ST5,ST10 TRACKS



Suspension sets



Accessories for „in row“ use junctions

# UNIVERSAL

## SUSPENSION ACCESSORIES



S-9000/214

Automatic lock

ST...



S-9000/215

Screw gripper

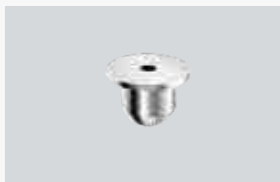
ST...



S-9000/218

Automatic M5 threaded gripper with side hole  
(to be used with 602/F screw supplied separately)

ST...



S-9000/216

Chrome plated brass round head ceiling

ST...



S-9000/213

Automatic gripper with lock

ST...



Available colours: **W** White RAL 9010 **W2** White RAL 9016

**B** Black RAL 9005  Raw aluminium



S-9511/316-LA

L bracket for angles



ST...



S-9000/211-...

Steel cable  $\varnothing$  1,5mm  
(...=L: 1,5/3/5m)

ST...



S-9000/211-S-...

Steel cable with spherical end  $\varnothing$  1,5mm  
(...=L: 1,5/3/5m)

ST...

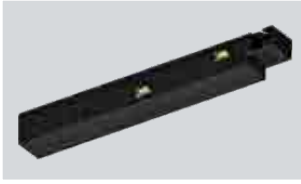


S-9000/T

Cutting tool for track conductors

ST...

# ARTICLES TO BE USED IN POLARIZED VERSION



End feed - left

---

W B



End feed - left

---

W B



End feed - left

---

W B



End feed - left

---

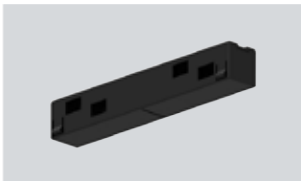
W B



End feed - left

---

W B



End feed - left

---

W B



End feed - left

---

W B

Available colours: **W** White RAL 9010 **W2** White RAL 9016

**B** Black RAL 9005 **Raw aluminium**



End feed - left

---

**W** **B**



End feed - left

---

**W** **B**

## Switching Power Supply



LRS-35

35W Single Output Switching Power Supply

---



LRS-50

50W Single Output Switching Power Supply

---



LRS-100

100W Single Output Switching Power Supply

---



LRS-200

200W Single Output Switching Power Supply

---

## LIGHT CONTROL DEVICES



APP1-M-S0-9509/B

Adapter for wireless management and control of track lighting  
Technology: A.A.G. STUCCHI

B



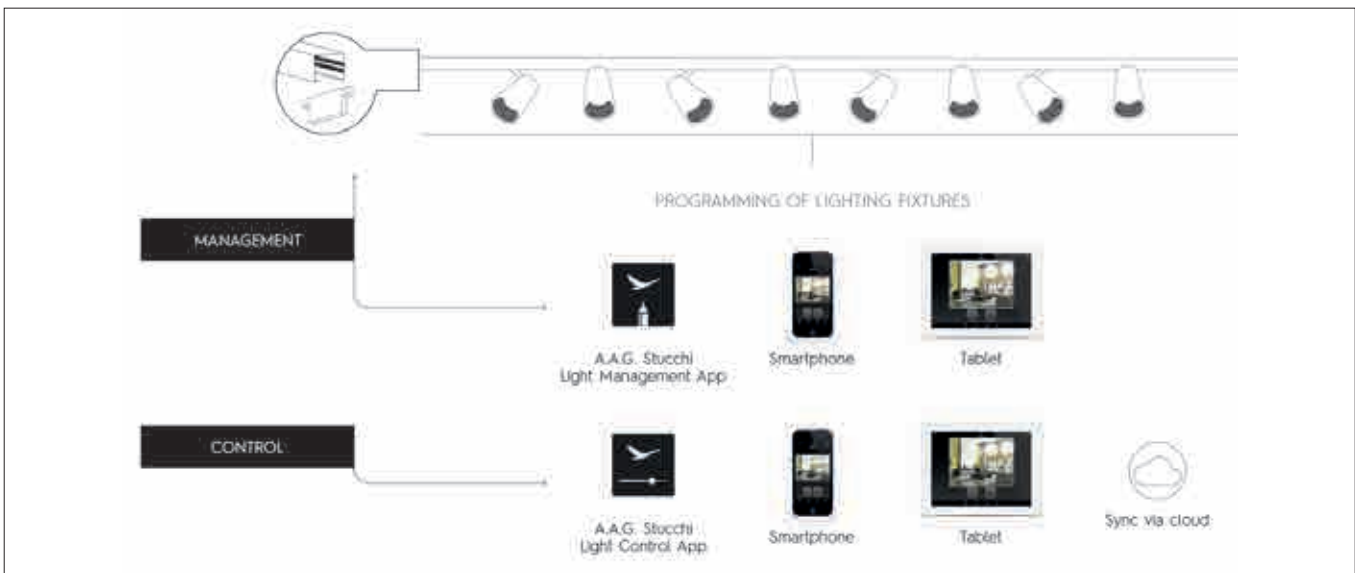
APP1-S-S0-9509/B

Adapter for wireless management and control of track lighting with occupancy sensor  
Technology: A.A.G. STUCCHI

W

B

### FUNCTIONING SCHEME



S-9511/ST2

### FUNCTIONING SCHEME



Repeater to opto-insulate the DALI input signal

W

